

Embedding Intelligence: Research Issues for Ubiquitous Computing

Vic Callaghan, Graham Clarke, Martin Colley and Hani Hagrais
Department of Computer Science
University of Essex
Email ib@essex.ac.uk

Summary:

In this paper we discuss the need for new technologies to enable the full benefits of ubiquitous computing to be realised in domestic environments. We argue that a key aspect of such new technology is that of embedding intelligence into devices. We do this by explaining the enhanced functionality that embedded-intelligence can provide to everyday products. In particular we describe how intelligence is the key to groups of artefacts learning to work together to achieve higher level, user-determined goals. We outline a scenario for an “Intelligent Domestic Environment” based on an Intelligent Student Dormitory (iDorm) being built at the University of Essex that will allow experimentation on “cognitive disappearance” of explicit control of devices arising from a networked system of intelligent artefacts. We explain the challenges facing those seeking to develop methods of embedding intelligent into computationally compact and distributed co-operating artefacts. Finally we summarise our arguments as to why “cognitive disappearance” requires intelligent artefacts and describe some of the projects we are working on that address these underlying research issues.

1.0 Introduction

1.1 The Vision

Today people’s domestic spaces are becoming increasingly “decorated” by electronic or computer-based artefacts (gadgets) varying from, mobile telephones through CD players to transport systems and beyond. The variety of computer-based artefacts, and their capabilities, is growing at an unprecedented rate fuelled by advances in microelectronics and Internet technology. Cheap and compact microelectronics means most everyday artefacts (e.g. shoes, cups) are now potential targets of embedded-computers, while ever-pervasive networks will allow such artefacts to be associated together in both familiar and novel arrangements to make highly personalised systems. However, in order to realise this possibility, technologies must be developed that will support ad-hoc and highly dynamic (re)structuring of such artefacts whilst shielding non-technical users from the need to understand or work directly with the technology “hidden” inside such artefacts or systems of artefacts. How can this aim be achieved? The authors are part of the *eGadgets* project [<http://www.extrovert-gadgets.net>] which is funded by the EU “Disappearing Computer” programme and in this paper we will describe how embedding intelligence into artefacts in the form of embedded-agents could provide one viable solution.

2. Technology & Domestic Environments

A typical domestic environment provides an environment where there is wide scope for utilising computer-based products to enhance living conditions. For instance it is possible to automate buildings service (e.g. lighting, heating etc), make use of computer based entertainment's systems (e.g. DVDs, TV etc), install work tools (e.g. robot vacuum cleaners, washing machines, cookers etc), or enhance peoples safety (e.g. security and emergency measures, appliance monitors etc). Some of these artefacts will be part of the building infrastructure and static in nature (e.g. lighting, HVAC etc.), others will be carried on the person as wearables or mobiles, or temporarily installed by people as they decorate their personal space (e.g. mobile phones, TVs etc). Environments in which computers are used to control building services are generally referred to as "Intelligent Buildings" [Callaghan 00], a paradigm that developments such as the "Disappearing Computer" programme promises to transform radically.

2. Embedded-Intelligence and Artefacts

Ideally, for the vision described above to be realised in domestic environments, people must be able use computer-based artefacts and systems without being cognitively aware of the existence of the computer within the machine. Clearly in many computer based products the computer remains very evident as, for example, with a video recorder, the user is forced to refer to complicated manuals and to use his own *reasoning* and *learning* processes to use the machine successfully. This situation is likely to get much worse as the number, varieties and uses of computer based artefacts increase. Can technology, which is the cause of this problem, be harnessed to provide a solution? We argue that if some part of the reasoning, planning and learning normally provided by a gadget user, were embedded into the artefact itself, then, by that degree, the cognitive loading on the user would reduce and, in the extreme, disappear (i.e. a substantial part of the computer's presence would disappear.). Put another way, the proportion of reasoning, planning and learning transferred to the gadget (collectively referred to as "embedded-intelligence") is a "cognitive disappearance" metric! Hence we view *embedded intelligence as an essential property of artefacts for the cognitive disappearance of the computer* and necessary to the successful deployment of new technology in the domestic environment

Our work at Essex University is focused on the development of new technology in the form of computationally compact mechanisms for embedding intelligence into artefacts, which would form part of intelligent domestic environments. In the remainder of the paper, we discuss the issues involved, the techniques we have developed and describe an experimental test-bed, the iDorm.

3. Disappearance: The AI Challenges

Above we argued that transferring some cognitive load from the users into the artefact was a key element in achieving cognitive disappearance. However, this is far from easy as such "intelligent artefacts" operate in a computationally complex and challenging physical environment which is significantly different to that encountered in more traditional PC programming or AI. Some of the computational challenges associated with creating systems of intelligent-artefacts are discussed below. As a

precursor to this discussion we first overview some of the more general issues and terminology.

Embedded intelligence can be regarded as the inclusion of some of the reasoning, planning and learning processes in an artefact that, if a person did it, we would regard as requiring intelligence. An intelligent artefact would normally contain only a minimal amount of “embedded-intelligence”, sufficient to do the artefact task in question. Embedded-computers that contain such an intelligent capability are normally referred to as “*embedded-agents*” [Callaghan 00]. Intelligent Artefacts would, in effect, contain an embedded-agent. Individually, such an embedded-agent can harness intelligence to undertake such tasks as:

- Enhancing Artefact functionality (enabling the artefact to do more complex tasks)
- Simplifying or automating the user interface (in effect, providing an intelligent assistant)
- Reducing Programming Costs (the system learns its own program rules)

It is now common for such “*embedded-agents*” (as intrinsic parts of “*intelligent artefacts*”) to have an Internet connection thereby facilitating multi embedded-agent systems. In a fully distributed multi embedded-agent systems each agent is an autonomous entity co-operating, by means of either structured or ad-hoc associations with its neighbours. Each agent can reason or plan how it might work with those with which it is currently associated thereby supporting *evolving aims or emerging functionality*. Without autonomous learning and ad-hoc association it is difficult to see how emergent functionality could otherwise be achieved. Because of this we argue that autonomy and intelligence are important attributes for intelligent artefacts if emergent behaviour is going to be possible. It is important to understand that being autonomous and promiscuous (open to making associations with other artefacts) does not imply undirected or unsafe behaviour. Agents can have basic fixed rules built in to them that prevent them taking specified actions deemed unsafe.

An interesting and potentially productive application of intelligent-artefacts arises when they are assembled and operated in synergetic groups. Perhaps artefacts will most commonly find themselves as part of rooms people live in. Rooms are often highly personalised, decorated by artefacts carefully chosen to suit tastes and needs. Rooms can be regarded as the building block of many habitats from cars and offices to homes. Rooms usually have a function (e.g. living, sleeping, driving etc) and the group of artefacts within a room will invariably reflect in part at least this function and well as the characteristics of the person that “decorated” the room with the artefacts.

Most automation systems (which involve a minimum of intelligence) utilise mechanisms that generalise actions (e.g. set temperature or volume that is the average of many people’s needs). However, we contend that AI applied to personal artefacts and spaces needs to *particularise* itself to the individual. Further, subject to safety constraints, we contend that it is essential that any agent (or artefacts) serving a person should always and immediately carry out any requested action, no matter how perverse it may appear (i.e. people are always in control, subject to overriding safety considerations). The embedded-agent techniques we will outline are characterised by

their ability to particularise their actions to individuals *and* immediately execute command, wherever that is a practical possibility. Elsewhere, the social and commercial issues of future widespread employment of agent based artefacts are more exhaustively discussed [Clarke 00] and related work on applications such as intelligent-buildings are explored [Brooks 97, Callaghan 00, Minar 99, Mozer 98, Davisson 98].

Artefacts that include intelligent agents of the type we describe inherit all these above-mentioned capabilities

3.1 The Issue of Physical Size and Cost

For physical disappearance artefacts will need relatively small low-cost embedded computers (possibly based on application specific micro-electronic fabrication). For example typical specifications might be Cost: £20-£50, Size: $<2^2$ cm, Speed: 1-10MHz, Memory: 1-2 MB, I/O: 10-50 I/O channels. Examples of two real devices are shown in figures 1 & 2.



Figure 1 - University of Essex
Prototype building services agent



Figure 2 - University of Massachusetts Prototype
Embedded-Internet Device

While it is inevitable that the “computing power / cost ratio” will continue to increase (i.e. more mega-everything per dollar), history has shown that functionality will always demand even faster computers. Thus available resources for a given cost always lag behind needs. The classic illustration of this dilemma is the defiance of the hard disk to become extinct despite 30 years of predictions of semiconductor memory becoming cheap and abundant. Of course the prediction that memory will become cheap and abundant has always proved correct but it seems functional demands have outpaced it. The lesson here is that although it is inevitable embedded-computers will become much more powerful, they will always be less powerful than the functionality demanded at that future point!

Traditional artificial intelligence (AI) techniques are well known for being computationally demanding and therefore unsuitable for ‘lean’ computer architectures. Historically most traditional AI system were developed to run on powerful computers such as workstations, whose specifications are at least 2 orders of magnitude removed from most embedded-computers. In addition traditional AI techniques have proved too fragile to operate real time intelligent machines such as robots. As a result, even implementing simplified traditional AI systems on embedded-computers has proved virtually impossible. However, the authors have techniques from developments of their earlier work in robotics that seem well suited

to providing artefact intelligence [Callaghan 01, Hagraas 00, Hagraas 01] which are discussed later in this paper.

3.2 The Issue of Intelligence

Depending upon the way that the intelligence is deployed within and between artefacts we can see a wide variety of different ways in which the functionality of artefacts can be enhanced. At its simplest intelligence might be used to make the use of a specific artefact easier or in the case of environmental control more or less invisible. However one argument is that there are a wealth of synergetic possibilities for the user controlled association of devices into new collections of artefacts that may be able to deliver novel functionality. As things stand with a predominance of physical connections between artefacts the problem is one of wiring and physical plugs, but one can easily see that with wireless communications capabilities interoperability might be achieved across a much wider set of artefacts than is possible now. The following section attempts to roughly sketch out the sort of scope for including intelligence in artefacts and for the association of artefacts, it is drawn from the eGadget project and uses that terminology but could in theory be applied to any artefacts.

GadgetWorlds and intelligence in gadgets.

A GadgetWorld is a collection of gadgets that are associated together to form some co-ordinated set of gadgets that operate together to carry out meaningful functions. The gadgets can be dumb, or intelligent to some degree, as can the mechanisms used for associating them together.

<i>Intelligence of association</i> ®	Manual association through hard or soft links. Physical manipulation of gadgets themselves.	Some form of Association Editor. Specifying hard links or setting up links through RF or other wireless connections	Intelligent Association using wireless or similar flexible form of setting associations, communication and transferring information
<i>Intelligence in Gadget</i> -			
Dumb gadget – no intelligence in gadget itself	A GadgetWorld where all the gadgets are dumb and all the associations are done manually	A GadgetWorld where all the gadgets are dumb but the associations are managed using an association editor. The actual associations might need to be made manually	A GadgetWorld in which all the gadgets are dumb but the associations are managed by intelligence in each gadget
Some relatively limited form of intelligence or	A GadgetWorld where gadgets with limited intelligence	A GadgetWorld where all the gadgets have some	A GadgetWorld where all the gadgets have some

intelligent processing as with automation and the use of various forms of computer based controllers of individual artefacts e.g. washing machine.	or automation of their functionality are manually associated.	limited intelligence or automation and whose associations are managed using an association editor. The associations can be hard or soft.	limited intelligence or automation but the associations are managed by intelligence in each agent.
‘Fully’ intelligent artefact/gadget capable of learning and reasoning in some form e.g. gadget with an intelligent agent in it.	A GadgetWorld in which all the agents are fully intelligent but they are associated together manually.	A GadgetWorld in which intelligent gadgets are associated together using an association editor and where the associations might be hard or soft.	A GadgetWorld in which intelligent gadgets make associations intelligently and maintain those associations through soft links

Clearly from the table above you can also conclude that there are GadgetWorlds in which the gadget might have a variety of levels of intelligence and be associated in one of the three ways specified above, so dumb, automated and fully intelligent artefacts might form GadgetWorlds in which association is manual, or managed by an editor, or managed by onboard intelligence in each gadget for such a purpose.

The rules governing associations of gadgets have both syntactic and semantic dimensions.

The syntactic aspect of association should specify the channel and type of connection that is possible for any specific gadget. In order to be able to use this channel any other gadget will have to have an appropriate channel and connection. In terms of the wider issues of how multiple artefacts associate a number of questions are raised. Does one gadget within a GadgetWorld have to be able to associate directly with all the other gadgets in that GadgetWorld? Is an association with one other gadget enough to constitute a GadgetWorld? Could a GadgetWorld be constituted by a daisy chain of gadgets where they were working together to produce a meaningful response for the user? Or do we require that associations between gadgets in a GadgetWorld be very closely coupled, with all gadgets connected to all other gadgets? Do the forms of association largely depend upon the collective meaningful functionality of the ensemble? In general would the fewest connections consistent with the overall functionality required be the optimum solution? Could the network of associations between gadgets be compared to the connections between atoms in a molecule?

The semantics of associations between specific gadgets is potentially specifiable across a broad range of GadgetWorlds. However it is unlikely that this will ever be an exhaustive description and the work involved may be unnecessary if new meaningful sets of associations can be learned through intelligent association mechanisms. The ability to physically associate various gadgets manually is of course the basis upon which any new meaningful and therefore semantically significant association of gadgets can take place. We are unlikely to ever have a complete semantics of association since this would exclude the possibility of emergent functionality.

The need for intelligent association

Whilst it may not currently be easy to see the importance of intelligent association between artefacts in a highly dynamic world of mobile agent, ubiquitous agents, and the global provision of services, the question of communicating and co-operating with other agents for the provision of necessary services at many different levels will be a continuing problem. Or, it will be if the necessary research isn't carried out now into solving the hard problems that dynamic intelligent association imposes. It is only with the benefit of such an infrastructure that the full potential for domestic users is going to be realised.

3.2 The Issue of Distribution

In most disappearing computer style scenarios, computer based artefacts are able to form ad-hoc groupings which work together to achieve some higher-level purpose. From an AI viewpoint this raises questions such as:

1. How is AI (agent) functionality and computation distributed (e.g. what is the computational granularity of artefacts, are they computationally and functionally autonomous).
2. How are associations to other artefacts formed and recorded (i.e. does each artefact decide and record its own associations or is this centrally managed and recorded)? Such associations are critical to group co-ordination, synergy and learning.
3. How are the dynamics of artefact mobility and failure handled (how do artefacts chose between competing services or cope with the removal of a service)?
4. How is group control and contention arbitrated (is there a master artefact in overall charge or is this devolved)?
5. How do artefacts/embedded-agents communicate with each other (what is an appropriate and compact language to support the expression needed for generalised intelligent-artefact communication and co-operation)?

Figure 2 shows a high-level diagrammatic view of a distributed intelligent-artefact architecture that goes some way to address these problems. In this diagram each artefact is responsible for determining which other artefacts (which might include sensors and effectors) to associate with and holding it's own local record (no global record is maintained). The system is initialised with a set of associations deemed the artefacts "sphere of influence" (e.g. these associations may be set using a manual-editing tool). In the learning mechanism that is outlined later it will be seen that embedded-agents have the ability to evaluate which of the associations (and associated input stimuli) is important to its event based decision mechanism (discarding those that are not influential). The agent may also look beyond its prescribed associations for new associations that might provide input stimuli that improve its decision making process (thus autonomously creating new associations). Through this combined mechanism of association formation and removal, the Global Association medium assumes an implicit and global learning intelligence. Records of association are fully distributed throughout the system with each artefact knowing

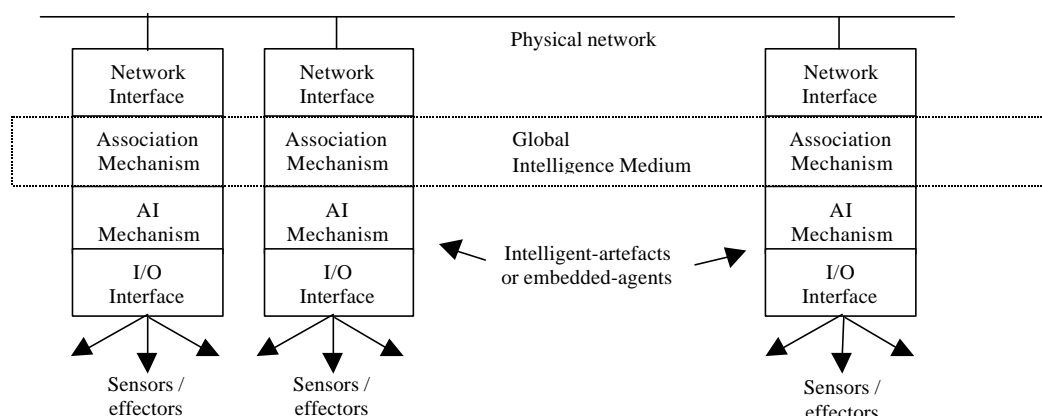


Figure 2 – A Distributed Intelligent Artefact Architecture (with implicit global intelligence)

only about its own associations. These may be interrogated and modified by a manual editor as well as the autonomous self-learning process of each agent.

In order to carry out this sort of co-ordination and communication, intelligent-artefacts need a language to communicate, and to request and provide a variety of services to other artefacts. This needs to operate securely and robustly in a dynamic environment using a minimum of computational resources. Much work has been done on agent communication languages such as KQML, FIPA, Jackal, JafMas etc [Finin 94], the latter being frameworks that utilise JAVA. In a study we have completed we have shown that languages aimed at traditional AI applications are unsuitable in term of their computational demands and functionality. In our related “intelligent-buildings” work we have developed a language, DIBAL, [Cayci 00] which used a tagged hierarchical format to create a highly compact agent language that overcomes many of the problems associated with the more functionally rich traditional agent communication languages such as KQML. It is possible that such a communication language might be adapted for inter-artefact communication based on the architecture described above.

3.3 The Issue of Mobility

Artefacts can be mobile to differing degrees. For example a mobile phone is highly mobile following the users movement. If it were to collaborate with sets of local agents then its presence in their group may be fairly short. At the other extreme there maybe fixed computer based artefacts in buildings (e.g. HVAC systems) which are effectively permanent and static in nature. There are also intermediate levels of mobility such as that of a CD player brought into a building by an owner which may be there for a number of weeks, or years, before being moved. Clearly the technical infrastructure has to deal with these varying dynamics of mobility and association. The following table summarises these possibilities.

	Centralised	Distributed
Static	Orchestration of groups of fixed artefacts by a single centralised computer	Anarchical (co-operating, self-organising, non-hierarchical) collaboration of groups of fixed autonomous artefacts
Semi-Static	Orchestration of groups of temporally located	Anarchical collaboration of groups of temporally located

	artefacts by a single centralised computer	autonomous artefacts
Mobile	Orchestration of groups of continuously moving artefacts by a single centralised computer	Anarchical collaboration of groups of continuously moving autonomous artefacts

3.3 The Issue of Dimensionality and Temporality

The quality of agent decisions is limited by its knowledge of the world. It gets its knowledge from sensors directly attached to it and other agents (i.e. indirectly from their sensors). Which set of sensor information is sufficient for an agent to make a particular class of decision? Consider a simple heating controller, why does the room's occupant alter the heat value. Is it to do with the current temperature, his current level of activity, what he is wearing, where he is in a room, where he has just been or what? We may decide that it is based upon current temperature and therefore could operate with only one sensor, but later discover that an agent that used only one sensor was not working very effectively. At the other extreme we could decide we should sense 'everything' and then let the agent learn which of these sensed values was important. Clearly in this latter situation the agent would be able to make better-informed decisions and adapt to changing criteria. In addition this problem exposes a central dilemma, what is the best mechanism for selecting relevant sensory sets for agents? Is it the designer or the agents themselves? The problem with a designer is the assumption that people know best what the intelligent agent needs; but is this true? We would argue that it is better to provide a large set of sensory inputs to agents and let them resolve which of the stimuli is important for any given decision wherever possible. Whilst this latter argument may have some appeal it carries with it a penalty, the need to compute using large sensory input vectors. Thus, large sensory sets are an issue for intelligent-artefacts. One solution is the development of mechanisms that allow embedded-agents to "focus" on sub-sets of data relating to specific decisions or circumstances. An additional problem is that of time and sequences. Often the reason an action is taken is not simply related to the current state of the world, but to the sequence of states that led up to the most recent event. Thus, an effective embedded-agent would need to be able to deal with temporality.

In general the foregoing are the most difficult problems to be addressed. In terms of temporality we are beginning to investigate state-machine based methods, whereas for dimensionality our methods largely rely on manual focusing although we are working towards more automated mechanisms based on constraint satisfaction methods.

3.4 The Issue of Non-Determinacy, Intractability and Dynamism

Traditional AI is based around the so-called Sense-Model-Plan-Act (SMPA) architecture. In this there is a presumption that the world the agent acts upon can be abstractly described by either a mathematical model or some form of well-structured representation. In addition, it is usually presumed that the state of the world can be sensed reasonably reliably and compared to the abstract representation so as to reason or plan about the world. This approach works reasonably well for some forms of

problem such as chess playing programs where many of these axioms hold true but completely fails in applications such as robotics and other applications that involve an intimate relationship with the physical world. The reason that traditional AI fails in such physical applications has been well described by others [Brooks 91] but a simplified explanation would be that the assumption that the world can be accurately sensed and modelled (the key axiom of SMPA) does not hold. For example, a robot interacting with the world does so via imperfect and sparse sensing, monitoring physical phenomena and people which are either of intractable complexity or are essentially non-deterministic (e.g. people's actions aren't reliably predictable). In addition, it has proved virtually impossible to adequately represent the world, or to maintain a consistent representation in real-time of a highly dynamic world (e.g. objects and associations changing through deliberate actions or failures), resulting in lose of synchronisation between the model and the real world with associated catastrophic results.

We have argued elsewhere that intelligent-artefacts (containing embedded-agents) are equivalent to robots, experiencing similar problems with sensing, non-determinism, intractability, lose of synchronisation etc [Callaghan 01]. Thus whatever techniques are used to embed intelligence into artefacts will require these issues to be addressed.

Fortunately, robotics has generated a potential solution for this type of problem that works by discarding the abstract model and replacing it by the world itself; a principle most aptly summarised by Rodney Brooks as, "the world is its own best model". This AI school is known as "new AI" or perhaps more meaningfully "behaviour based AI". Our earlier work [Callaghan 01, Hagra 00, Hagra 01] was in the field of robotics, which has allowed us to recognise the underlying similarities between robotics and intelligent artefacts.

In our robot-based embedded-agents, which we have also used within an intelligent building environment, we encode behaviour based architecture principles via hierarchical fuzzy logic in which logic rules (programming) are formed by a novel real-time genetic algorithm. It is not the purpose of this paper to describe this agent mechanism although we include a high-level diagram in figure 3 and refer the interested reader to our other papers which debate these principles in some considerable depth [UK patent 99, Colley 01, Callaghan 01, Hagra 00, Hagra 01]. In simple terms the operation of the agent in an intelligent building scenario is as follows: when an occupant changes an effector setting manually, the system responds by immediately carrying out the action, setting the building to the requested state, generating a new rule based on that instance and initiating a new learning sequence. In this case the learning sequence is the equivalent of one iteration of the forced-error learning in our mobile robot agent. At this point any further action is suspended until there is another interaction with the occupant. There is therefore no forced interaction with the occupant but rather the occupant's spontaneous interactions trigger a simple learning process. By spreading the iterations over an extended period, using the natural interactions of the user with the system for guidance, learning is made unobtrusive. For example, if we consider a temperature controller, each day the occupant might make an adjustment to the system (i.e. one learning iteration) and complete a learning cycle in, say, 21 days (c.f. our experimental data reported in Callaghan 01 & Hagra 00). We would argue that this is an acceptable time for an agent to learn to particularize its services to a person as, in a manual system, the user

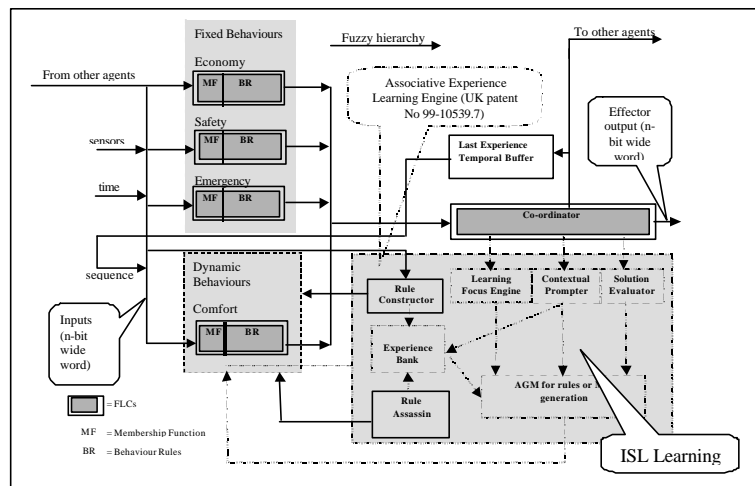


Figure 3 – An Embedded-Agent architecture for Intelligent-Artefacts

will always need to control the system, whereas in the agent-assisted system the manual load upon the occupant should reduce over time. In addition to providing a non-intrusive learning mechanism, this approach also places the user in prime control as it unflinching and immediately responds to his commands.

4. The iDorm Testbed

We are constructing an intelligent-artefact space at the University of Essex to illustrate the kind of approach described above. More extensive descriptions of the technology involved in these rooms are given elsewhere [Callaghan 01, Colley 01, Hagraas 01]. We have chosen a student dormitory (see figure 4) to be a demonstrator and test-bed for some of the techniques involved. The dormitory constitutes a personal space populated by an assortment of personal computer-based artefacts, many of which are to be configured by the occupant. Being a student dormitory it is a multi-use space (i.e. contains areas with differing activities such as sleeping, working, entertaining etc). The occupant of the room (a student) would be free to decorate his room with whatever artefacts he chooses (computer and non-computer based, passive and active). Because this room is of an experimental nature we are fitting it with a liberal placement of sensors (e.g. temp. sensors, presence detectors, system monitors etc) and effectors (e.g. door actuators, equipment switches etc), which the occupant can also configure and use. Our expectations are that the occupant would choose to decorate his personal space (the room) with a variety of artefacts ranging from building service devices such as heaters to entertainment systems such as CD/TV. A possible scenario is as follows. The student moves into the dormitory, which contains some existing artefacts (mostly connected with the room infrastructure) but brings other more personal artefacts with him. He then runs a configuration program on his PC that allows him to set up associations between sensors and effectors.

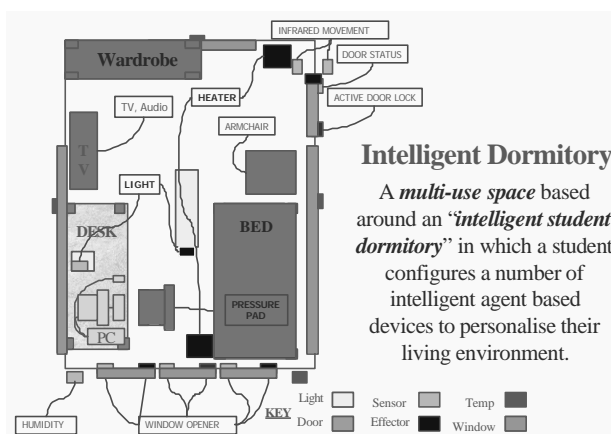


Figure 4 - Intelligent Inhabited Environment

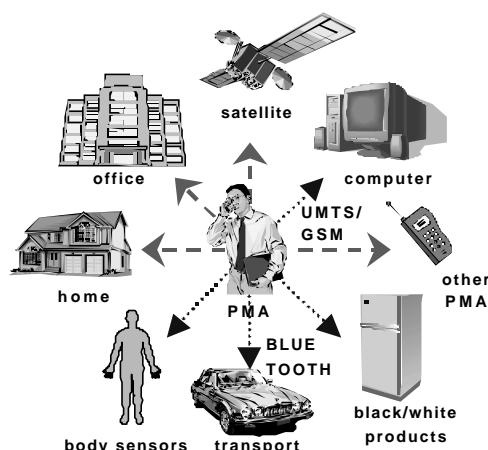


Figure 5 - A World of Interacting Artefacts

To take a mundane example concerning the room's infrastructure, the student might set an association between a light switch immediately inside the door and a number of room lights. In addition he could personalise this space by deciding to associate the same light switch sensor to his radio, so that the radio switches on whenever he enters the room. He then continues until he has associated together all the sensors, effectors and artefacts that interest him. Having set up a basic artefact association the occupant may then choose to switch the artefacts into an active online learning mode (or leave them as manually set). In general the room and artefacts function as non-agent based systems, interacting with the user through conventional controls (no special embedded-agent controls are necessary and the user is essentially unaware agents exist, or this is anything other than a normal environment). In the active mode artefacts monitor their use, in relation to the state of their local world, programming themselves to satisfy the occupant by doing what he habitually and persistently wants (i.e. not simply learning random whims of a user but rather learning long term persistent requirements, what we call 'learning inertia') in the embedded-agent research we have undertaken. At the same time as learning habitual and persistent user requirements, the embedded-agents also respond immediately to any command made by the occupant. Thus after some time has passed the intelligent-dormitory may have learnt how to configure and operate the constituent intelligent-artefacts to the benefit of the occupant. This description is not comprehensive in coverage, and clearly speculative in places, but we hope it helps expose some of the issues and gives a feel for they type of operational issues and possibilities involved.

5. Summary / The Future

In this paper we have argued that transferring some cognitive capabilities from people into artefacts is a natural way to facilitate the disappearance of computers as computers are increasingly embedded into our daily environment. We have also argued that embedded-intelligence can bring significant cost and effort savings over the evolving lifetime of product by avoiding expensive programming (and re-programming). In particular, if people are to use collections of computer based artefacts to build systems to suit their own personal tastes (which may be unique in some sense) then self programming embedded-agents offer one way of allowing this without incurring an undue skill or time overhead. However, whilst this paper argues strongly that integrating embedded intelligent agents into artefacts is highly

beneficial, it also exposes several significant problems, many of which remain as research challenges. For instance, dealing with the problems of non-determinism, dimensionality and temporality in computationally compact environments are very challenging topics.

We also presented an overview of an intelligent inhabited environment in the form of the iDorm that we plan to use as a test-bed for some intelligent artefacts in the *eGadgets* project and for the CareAgent project (part of a Korean-UK Scientific Fund Programme) which includes co-operation between fixed agents and mobile robots [Colley 01]. We look forward to reporting results from this environment in a future paper. We note that previous papers from our group have reported on experimental results in a simpler environment that suggest that embedded-agents can significantly contribute to making effective computer based artefacts in which the computer has cognitively disappeared to a significant extent.

Acknowledgements: We are pleased to acknowledge the contribution of Malcolm Lear, Robin Dowling and Arran Holmes for their help building the intelligent dormitory and intelligent-artifacts. We would also like to thank Hakan Duman, Anthony Pounds-Cornish, Sue Sharples, Gillian Kearney, and Filiz Cayci for their indirect contributions arising from many stimulating discussions on intelligent-artifact and embedded-agent issues. We are also pleased to acknowledge our eGadget partners Kieran Delaney (NMRC), Achilles Kameas, Irene Mavrommati and Manolis Koutlis (CTI) whose thought provoking discussions have contributed to our thinking in this area.

References

- [**Brooks 91**] Brooks R, "Intelligence Without Representation", *Artificial Intelligence* 47, pp139-159, 1991
- [**Brooks 97**] Brooks R. *"The Intelligent Room Project"* Proceedings of the Second International Cognitive Technology Conference (CT'97), Aizu, Japan, August 1997
- [**Callaghan 00**] Callaghan V, Clarke, G, Pounds-Cornish A *"Buildings As Intelligent Autonomous Systems: A Model for Integrating Personal and Building Agents"*, The 6th International Conference on Intelligent Autonomous Systems (IAS-6), Venice, Italy; July 25 - 27, 2000
- [**Callaghan 01**] Callaghan V, Clarke, G., Colley, M., Hagaras, H. "A Soft-Computing DAI Architecture for Intelligent Buildings", *Journal of Studies in Fuzziness and Soft Computing on Soft Computing Agents*, Physica-Verlag-Springer, June, 2001
- [**Cayci 00**] Cayci F, Callaghan V, Clarke G, *"DIBAL - A Distributed Intelligent Building Agent Language"*, The 6th International Conference on Information Systems Analysis and Synthesis (ISAS 2000), Orlando, Florida, July 2000
- [**Clarke 00**] Clarke G, Callaghan V, Pounds-Cornish A "Intelligent Habitats and The Future: The Interaction of People, Agents and Environmental Artefacts", 4S/EASST Conference on Technoscience, Citizenship and Culture in the 21st Century, Vienna, 26-28th September 2000
- [**Colley 01**] Colley, M., Clarke, G., Hagaras, H, Callaghan V, "Intelligent Inhabited Environments: Co-operative Robotics & Buildings" 32nd International Symposium on Robotics (ISR 2001), Seoul, Korea April 19-21, 2001.
- [**Davisson 98**] P. Davisson "Energy Saving and Value Added Services; Controlling Intelligent-Buildings Using a Multi-Agent System Approach" in *DA/DSM Europe DistribuTECH*, PennWell, 1998.

[Finin 94] T. Finin, R. Fritzson, D. McKay, R. McEntire. “ KQML: An Information and Knowledge Exchange Protocol, “Knowledge Building and Knowledge Sharing, K. Fuchi and T. Yokoi (Eds), Ohmsha and IOS press, 1994.

[Hagras 00] Hagras H, Callaghan V, Colley M, Clarke G "A *Hierarchical Fuzzy Genetic Agent Architecture for Intelligent Buildings Sensing and Control*", RASC 2000 - International Conference on Recent Advances in Soft Computing June 29 & 30 2000, Leicester, UK

[Hagras 01] Hagras H, Callaghan V, Colley M, Clarke G, "A *Hierarchical Fuzzy Genetic Multi-Agent Architecture for Intelligent Buildings Learning, Adaptation and Control*", International Journal of Information Sciences, August 2001

[Minar 99] Minar N., Gray M., Roup O., Krikorian R., Maes P. “Hive: Distributed Agents for Networking things. MIT Media Labs”. ASA/MA August 3, 1999. Cambridge, USA

[Mozer 98] MC Mozer “The Neural Network House: An Environment That Adapts To Its Inhabitants”. In *Proc of American Association for Artificial Intelligence Spring Symposium on Intelligent Environments*, pp. 110-114, AAAI Press, 1998.

[Sharples 98] Sharples S, Callaghan V, Clarke G, “*The Application of Intelligent Building Techniques to Care Service Provision*”, IEE Colloquium on Intelligent Methods in Healthcare and Medicine, York. Oct 1998.

[Sharples 99] Sharples S, Callaghan V, Clarke, G “*A Multi-Agent Architecture For Intelligent Building Sensing and Control*”, Int'l Sensor Review Journal, Vol. 19. No. 2. May 1999

[UK Patent 99] Genetic-Fuzzy Controller, UK No 99 10539.7, 7th May 1999