

(12) **UK Patent Application** (19) **GB** (11) **2 147 701 A**

(43) Application published 15 May 1985

(21) Application No **8326900**

(22) Date of filing **7 Oct 1983**

(71) Applicants  
**Ian Leslie Freeston,**  
**32 Rutland Park, Sheffield S10 2PB**  
**Nicholas David Russell,**  
**3 Whitehaven Close, Wilmington, Honiton,**  
**Devon EX14 9JP**  
**Victor Lawrence Callaghan,**  
**c/o University College, Newport Road, Cardiff CF2 1TA**  
**The University of Sheffield (United Kingdom),**  
**Western Bank, Sheffield S10**

(72) Inventors  
**Ian Leslie Freeston,**  
**Nicholas David Russell,**  
**Victor Lawrence Callaghan**

(74) Agent and/or Address for Service  
**Hulse & Co.,**  
**Cavendish Buildings, West Street, Sheffield S1 1ZZ**

(51) INT CL<sup>4</sup>  
**G01C 22/00**

(52) Domestic classification  
**G1K 7**  
**U1S 1062 G1K**

(56) Documents cited  
**GB A 2079453**                      **GB 1227531**  
**GB A 2013890**

(58) Field of search  
**G1K**

(54) **Portable personal navigation aid**

(57) A navigation aid particularly for a blind person comprises a microcomputer (MC) a battery (B1) for the microcomputer, a route memory (RM) for route data received from or read by the microcomputer, a program memory (PM) for controlling the manner in which the microcomputer processes route data from the route memory, a mode switch (MS) determining the mode of the microcomputer a pedometer (P) for feeding to the microcomputer signals corresponding to progress made by the user, push-button switches (PBS) enabling the entry of directives into the microcomputer and to enter route data into the route memory or read route data from the route memory and a microphone (A0) to give the user a signal corresponding to the route data read by the microcomputer.

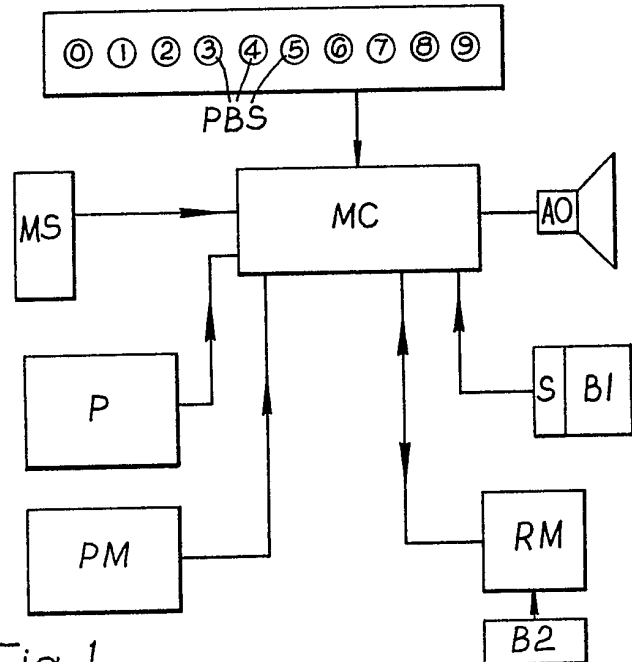


Fig. 1